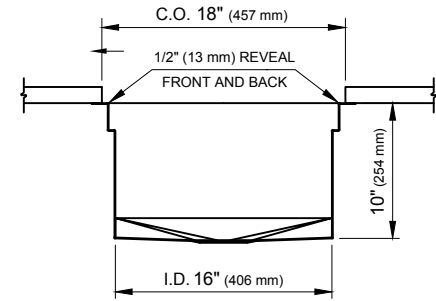
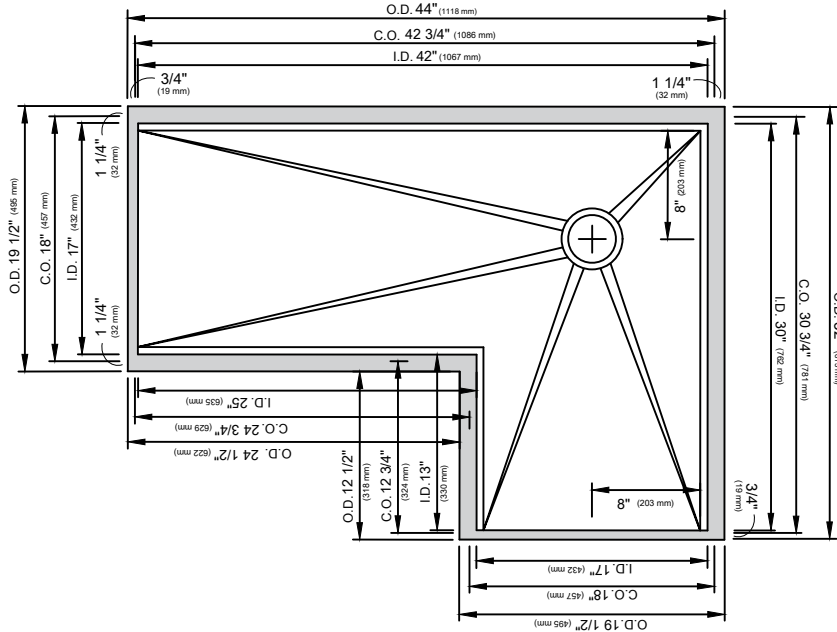
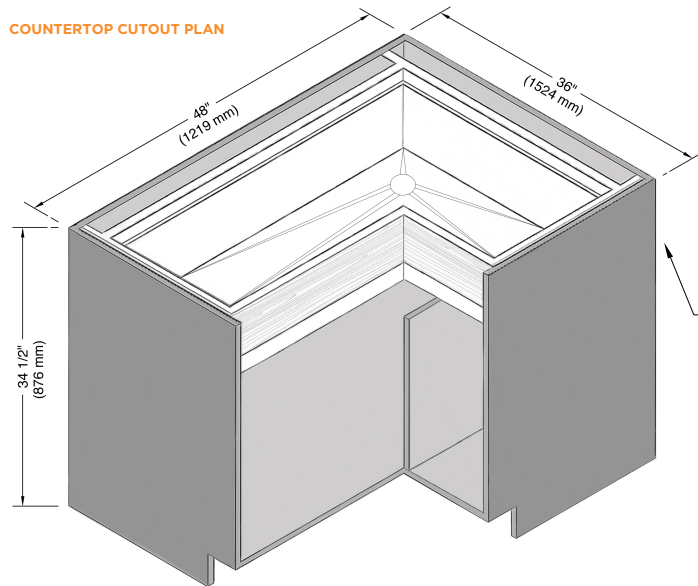


# IDEAL CORNER WORKSTATION 4X3C (IWS 4X3C) COUNTERTOP CUTOUT

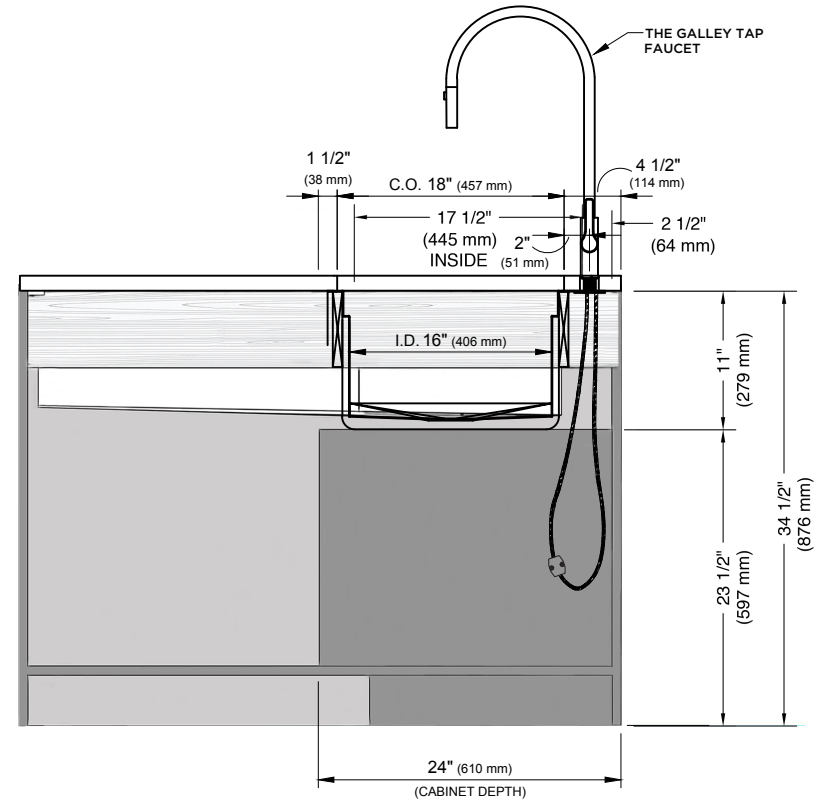
## SPECIFICATIONS



## COUNTERTOP CUTOUT PLAN



CABINETS ARE TYPICALLY CUSTOM MADE FOR GALLEY DIMENSIONS. FOR EXISTING CABINETS, TRIM INTERIOR BULKHEADS APPROX. 11" (280 mm) TO CLEAR SINK DEPTH.



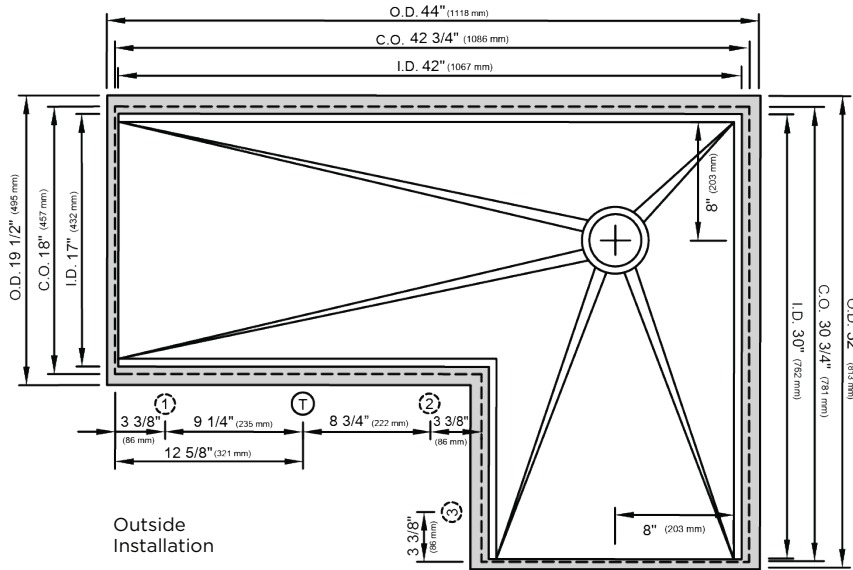
STAINLESS STEEL COMPLIANCE ASME A112. 19.3-2008/CSA B45.4-08

WE RESERVE THE RIGHT TO MAKE REVISIONS WITHOUT NOTICE IN THE DESIGN OF PRODUCTS OR IN PACKAGING UNLESS THIS RIGHT HAS SPECIFICALLY BEEN WAIVED AT THE TIME THE ORDER IS ACCEPTED.

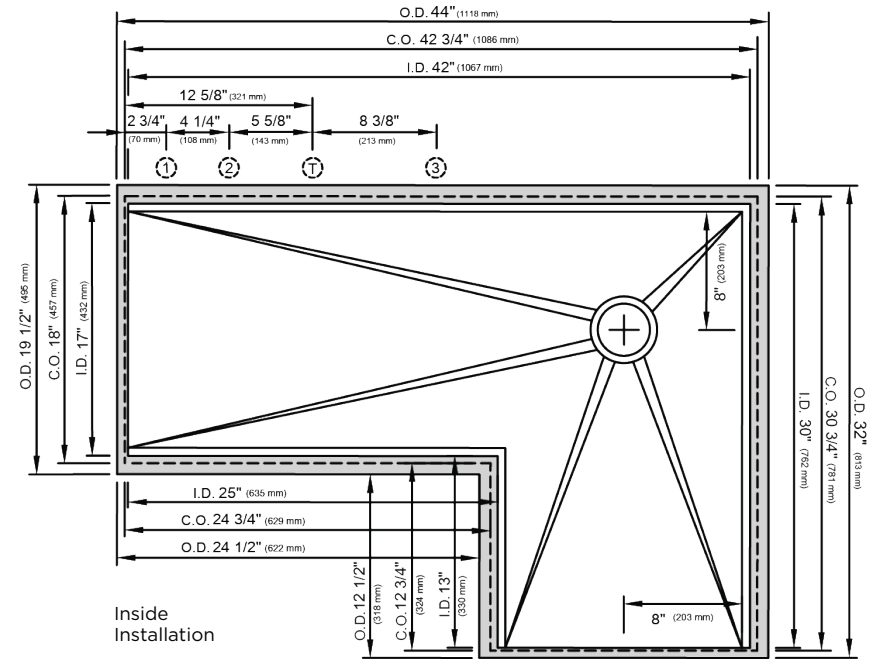
DWG and DXF templates available on our website:  
[TheGalley.com/specifications](http://TheGalley.com/specifications)

Questions? For additional assistance, please contact  
The Galley's Customer Service Department at 800.375.4255

# IDEAL CORNER WORKSTATION 4X3C (IWS 4X3C) TAP SPECIFICATIONS



Outside Installation



Inside Installation

## OUTSIDE CORNER INSTALLATION SUGGESTED GALLEY TAP AND TAP ACCESSORIES PLACEMENT GUIDE

(Recommendations are based on installing 3 or more Tap accessories)

Suggested maximum inside corner radius of countertop cutout 3/8"

- ① Galley Tap 1 3/8" min hole diameter (1 1/2" min hole diameter for fast water jet cut)
- ② Galley Soap Dispenser 1" min to 1 3/8" max hole diameter
- ③ Galley Deck Switch 1 3/8" min hole diameter or Galley Automatic Strainer Basket knob 1" min and 1 3/8" max hole diameter
- ④ Galley Hot & Cold Tap 1 3/8" min hole diameter (1 1/2" min hole diameter for fast water jet cut)

Center Tap hole diameters 2" behind cutout

**Note:** Galley Hot & Cold Tap requires a minimum 8" clearance to center if installed to the right of the Galley Tap

**Note:** For inner corner dimensions (O.D., C.O., I.D.) on Outside Corners, look to Inside Corner drawings

## INSIDE CORNER INSTALLATION SUGGESTED GALLEY TAP AND TAP ACCESSORIES PLACEMENT GUIDE

(Recommendations are based on installing 3 or more Tap accessories)

Suggested maximum inside corner radius of countertop cutout 3/8"

- ① Galley Tap 1 3/8" min hole diameter (1 1/2" min hole diameter for fast water jet cut)
- ② Galley Deck Switch 1 3/8" min hole diameter or Galley Automatic Strainer Basket knob 1" min and 1 3/8" max hole diameter
- ③ Galley Soap Dispenser 1" min to 1 3/8" max hole diameter
- ④ Galley Hot & Cold Tap 1 3/8" min hole diameter (1 1/2" min hole diameter for fast water jet cut)

Center Tap hole diameters 2" behind cutout

**Note:** Galley Hot & Cold Tap requires a minimum 8" clearance to center if installed to the right of the Galley Tap